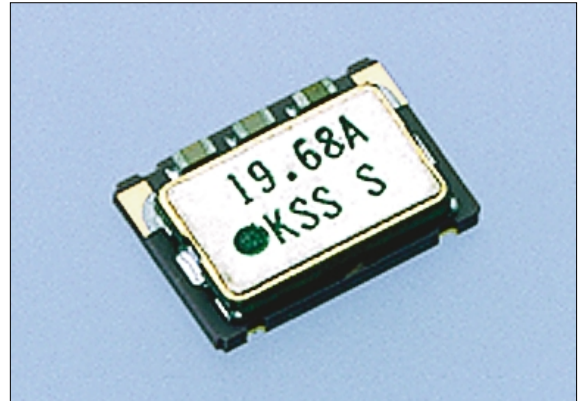


# (VC-)TCXO-204C2

## TCXO, VC-TCXO

### ■Features

- VC-TCXO for Personal Cellular Phone.
- Because it is leadless type, automatic mounting is possible.
- Ultra small size. (7×5×1.7mm)
- Reflow Soldering.
- Low power consumption.



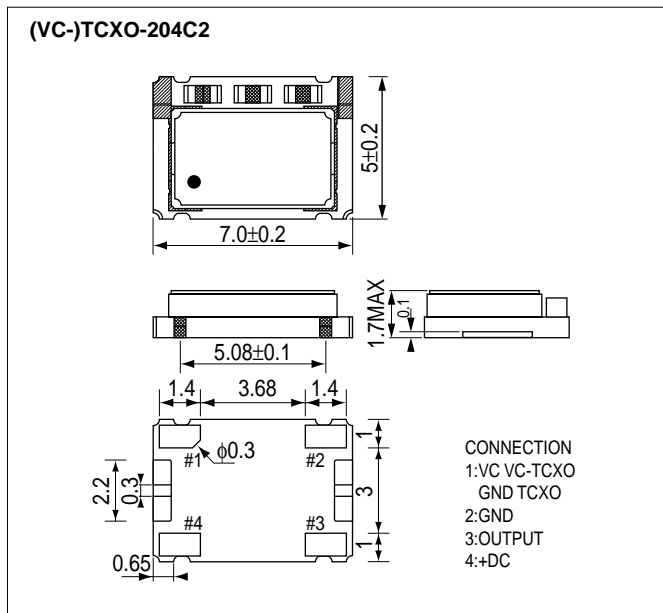
### ■Specifications

Item	Type	TCXO-204C2 *1 VC-TCXO-204C2 *1
Standard Frequency		12.8, 13.0, 14.4, 14.85, 16.8, 19.2, 19.68, 19.8MHz
Frequency Stability		$\pm 2.5 \times 10^{-6} / -30 \sim +80^{\circ}\text{C}$ *2
Aging		$\pm 1 \times 10^{-6}$ MAX./year
Supply Voltage		+3V $\pm$ 5%
Supply Current		2.0mA MAX.
Output	Load	10k $\Omega$ /10pF
	Level	0.8V <sub>P-P</sub> MIN. (DC Blocked)
Start up time		3m sec MAX.
Frequency Deviation/ Voltage (only VC-TCXO)		8~12 $\times 10^{-6}$ /V (Positive)
Capacity/ Weight		0.06cc, 0.15g

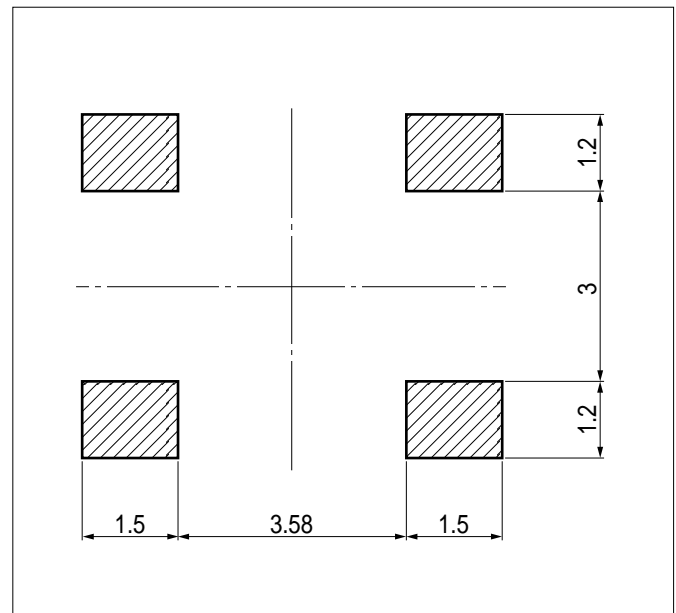
\*1 Please contact us for reflow.

\*2 Frequency Stability  $\pm 1.5 \times 10^{-6} / -20 \sim +75^{\circ}\text{C}$  is available.

### ■Outline



### ■Land Pattern(reference)



Dimensions(mm)

This datasheet has been downloaded from:

[www.DatasheetCatalog.com](http://www.DatasheetCatalog.com)

Datasheets for electronic components.