

FEATURES CERAMIC-FILTERS LT / Keramikfilter

PETERMANN

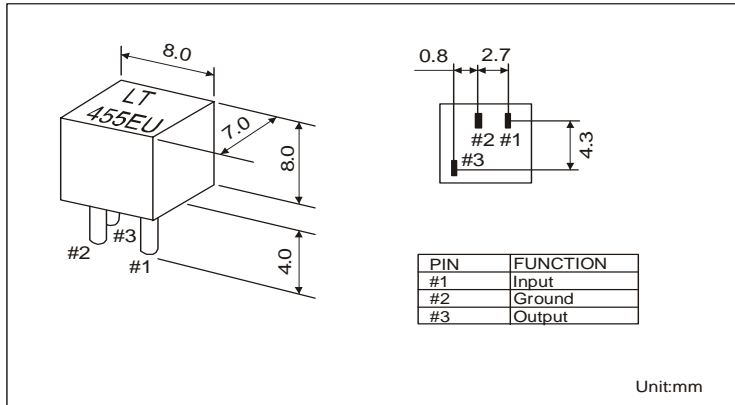
TECHNIK

Time & Frequency Components

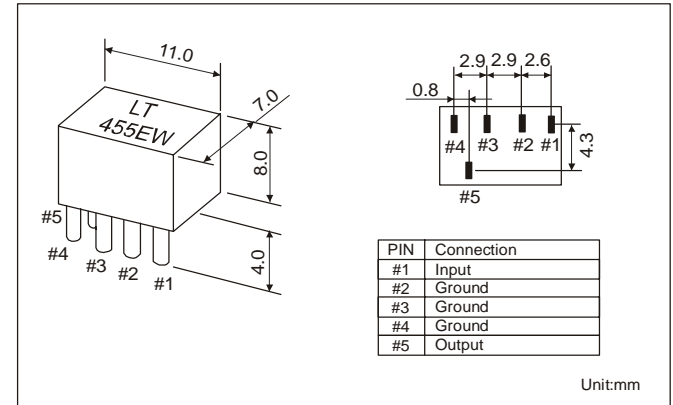
- HIGH RELIABILITY FOR LOW COST
- LOW INSERTION LOSS

PART NUMBER	CENTER FREQUENCY	Insertion Loss	PASS BAND RIPPLE (dB) max.	6 dB BAND WITH (kHz) min.	40 dB BAND WITH (LT455 U)	50 dB BAND WITH (LT455 U)	STOP BAND ATTENUATION fo +-100 kHz(dB)min.		INPUT/OUTPUT IMPEDANCE Ω	
							(LT455 U)	(LT455 W)		
LT455BU	LT455BW	455 +-2 kHz	4 dB max.	2	+15 kHz	+30 kHz max.	+30 kHz max.	28	40	1500
LT455CU	LT455CW	455 +-2 kHz	4 dB max.	2	+12.5 kHz	+24 kHz max.	+24 kHz max.	28	40	1500
LT455DU	LT455DW	455 +-1.5 kHz	4 dB max.	2	+10 kHz	+20 kHz max.	+20 kHz max.	28	40	1500
LTT455EU	LT455EW	455 +-1.5 kHz	6 dB max.	2	+7.5 kHz	+15 kHz max.	+15 kHz max.	28	40	1500
LT455FU	LT455FW	455 +-1.5 kHz	6 dB max.	2	+6 kHz	+12.5 kHz max.	+12.5 kHz max.	28	40	2000
LT455GU	LT455GW	455 +-1.5 kHz	6 dB max.	2	+4.5 kHz	+10 kHz max.	+10 kHz max.	28	40	2000
LT455HU	LT455HW	455 +-1 kHz	6 dB max.	2	+3 kHz	+9 kHz max.	+9 kHz max.	28	40	2000
LT455IU	LT455IW	455 +-1 kHz	6 dB max.	2	+2 kHz	+7.5 kHz max.	+7.5 kHz max.	28	40	2000
LT455HTU	LT455HTW	455 +-1 kHz	6 dB max.	2	+2 kHz	+9 kHz max.	+9 kHz max.	35	60	2000

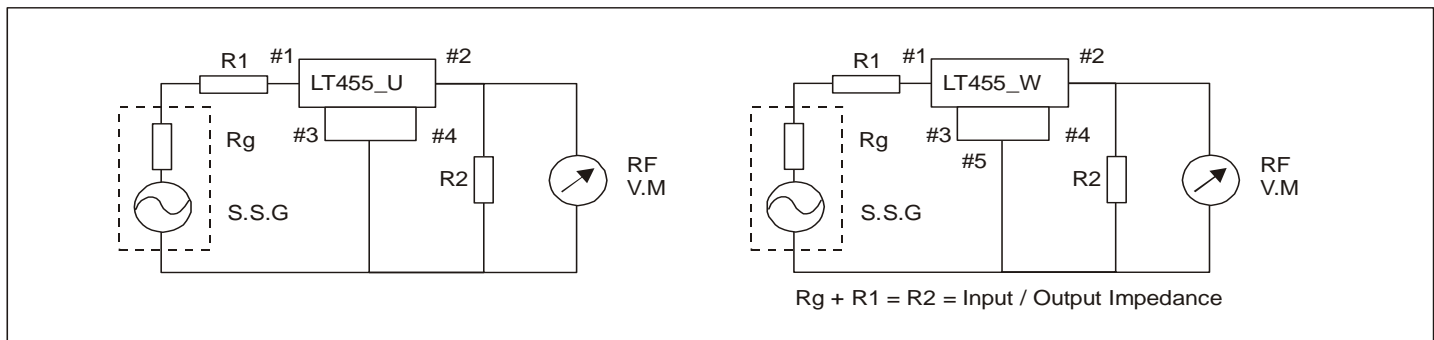
PACKAGE DIMENSIONS OF U VERSION



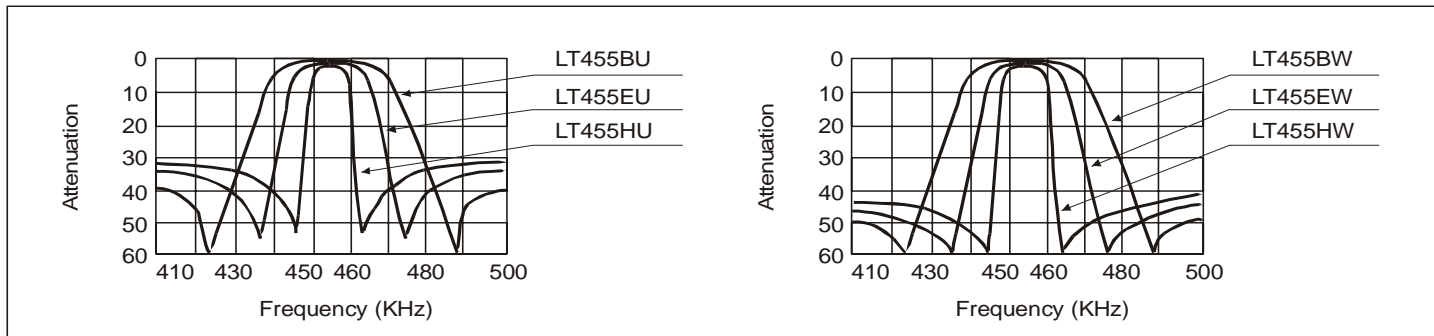
PACKAGE DIMENSIONS OF W VERSION



TEST CIRCUIT

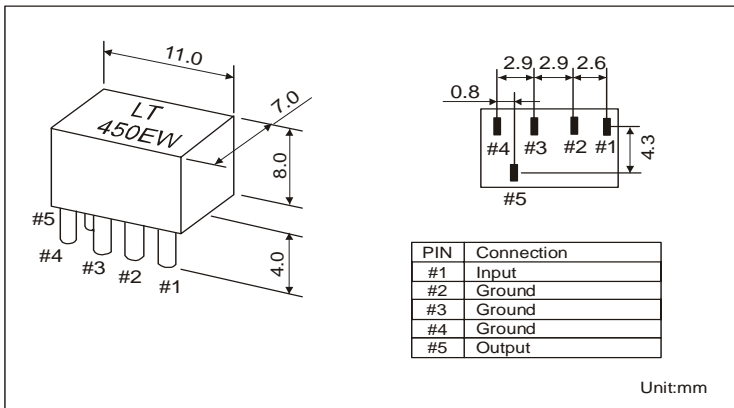


CHARACTERISTICS

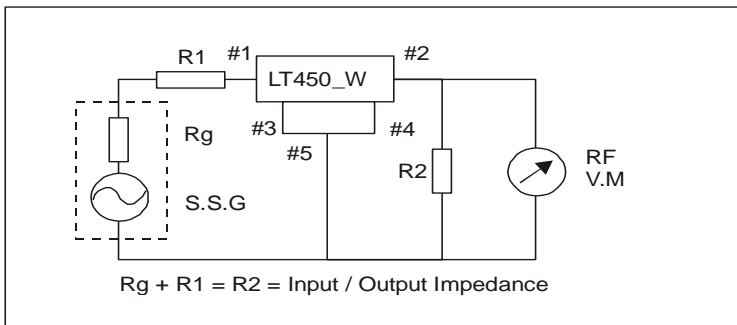


PART NUMBER	CENTER FREQUENCY	Insertion Loss	PASS BAND RIPPLE (dB) max.	6 dB BAND WITH (kHz) max.	50 dB BAND WITH (kHz) max.	STOP BAND ATTENUATION fo +-100 kHz(dB)min.	INPUT/OUTPUT IMPEDANCE Ω
LT450BW	450 +-20 kHz	4 dB max.	2	+/-15 kHz	+30 kHz	40	1500
LT450CW	450 +-20 kHz	4 dB max.	2	+/-12.5 kHz	+24 kHz	40	1500
LT450DW	450 +-1.5 kHz	4 dB max.	2	+/-10 kHz	+20 kHz	40	1500
LTT450EW	450 +-1.5 kHz	6 dB max.	2	+/-7.5 kHz	+15 kHz	40	1500
LT450FW	450 +-1.5 kHz	6 dB max.	2	+6 kHz	+12.5 kHz	40	2000
LT450GW	450 +-1.5 kHz	6 dB max.	2	+/-4.5 kHz	+10 kHz	40	2000
LT450HW	450 +-1 kHz	6 dB max.	2	+3 kHz	+9 kHz	40	2000
LT450IW	450 +-1 kHz	6 dB max.	2	+2 kHz	+7.5 kHz	40	2000
LT450HTW	450 +-1 kHz	6 dB max.	2	+3 kHz	+9 kHz	60	2000

PACKAGE DIMENSIONS



TEST CIRCUIT



CHARACTERISTICS

