



CHIP TRIMMER CAPACITOR



Chip Ceramic Trimmer Capacitor TZC03 Series

Chip Trimmer Capacitor with Minus & Cross Slot.

■FEATURES

1. Small size:3.2(W)×4.5(L)×1.6(H)mm.
(Cross slot type:1.7(H)mm)
2. Color coded stator permits easy identification of capacitance and reduces mounting errors.
3. Can be adjusted with conventional adjustment tools (Standard type) having a thickness of 0.5mm.
4. Available for cross slot type to provide better adjustability.
5. Providing mechanism to prevent air leak offers better mountability with automatic mounter.(Cross slot type)
6. Designed for automatic placement in surface mount applications.
7. Heat resistant resin withstands reflow soldering temperatures.

■APPLICATIONS

- Compact radios, Headphones stereos
- Pagers
- Camcorders
- Mobile telephones
- Hybrid ICs
- Cordless telephones
- Portable radio equipment

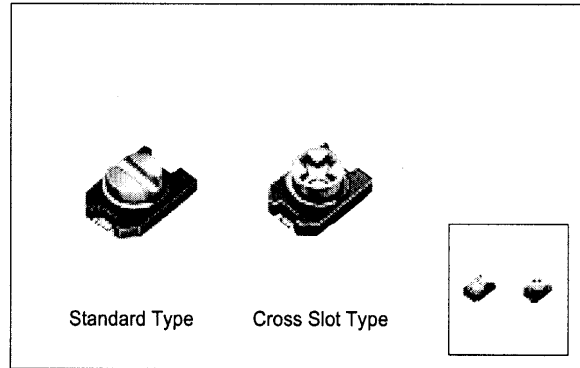
■PART NUMBERING

(Please specify the part number when ordering.)

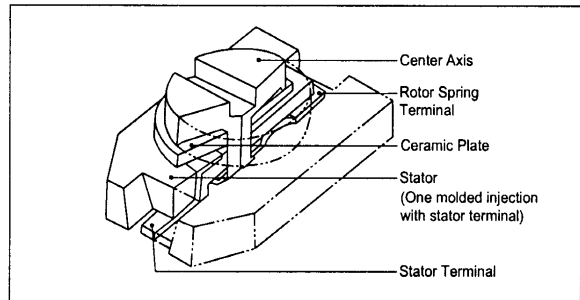
(Ex.)

TZC03	Z	060	A	110	T00
①	②	③	④	⑤	⑥

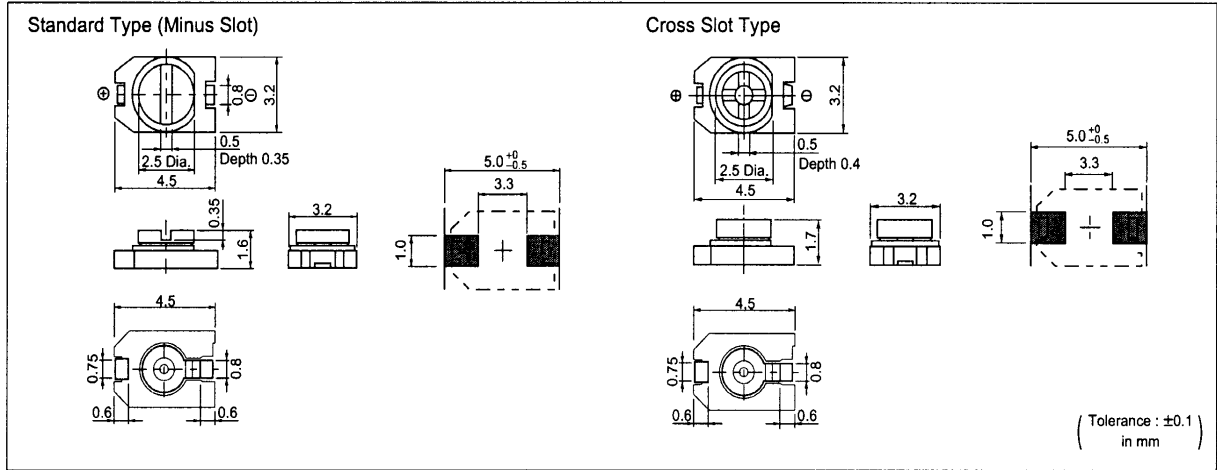
- ① Model Number
- ② Temperature Coefficient Characteristics
- ③ Capacitance Value
- ④ Terminal Style
- ⑤ Other Specifications 110:Standard Type (Minus Slot)
310:Cross Slot Type
- ⑥ Packaging Code T00:Taping 1,000pcs./reel (180mm dia.)
T01:Taping 4,000pcs./reel (330mm dia.)
No Code:Bulk Package 500pcs./bag



■CONSTRUCTION



■ DIMENSIONS/STANDARD LAND PATTERNS



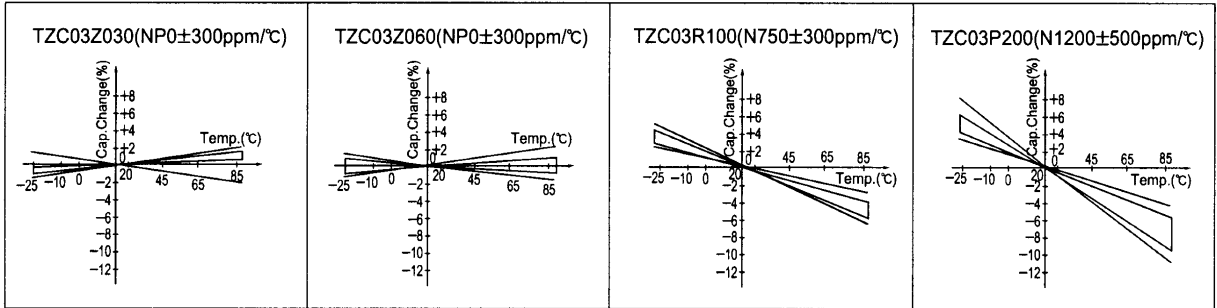
■ RATINGS

Part Number	Capacitance (pF)		Temperature Coefficient (ppm/°C)	Q <1MHz, Cmax.>	Stator Color
	Min. (max.)	Max. (±5%)			
TZC03Z030A□□□	1.4	3.0	NP0 ±300 (0±300)	300 min.	Brown
TZC03Z060A□□□	2.0	6.0	NP0 ±300 (0±300)	500 min.	Blue
TZC03R100A□□□	3.0	10.0	N750 ±300 (-750±500)	500 min.	White
TZC03P200A□□□	5.0	20.0	N1200±500 (-1200±500)	300 min.	Red
TZC03P300A□□□	6.5	30.0	N1200±500 (-1200±500)	300 min.	Green

•Rated Voltage:100Vdc •Withstanding Voltage:220Vdc •Insulation Resistance:10⁴MΩmin.
 •Driving Torque:1.5 to 10.0 mN·m (Ref.15 to 100g·cm) •Working Temperature Range:-25 to +85°C

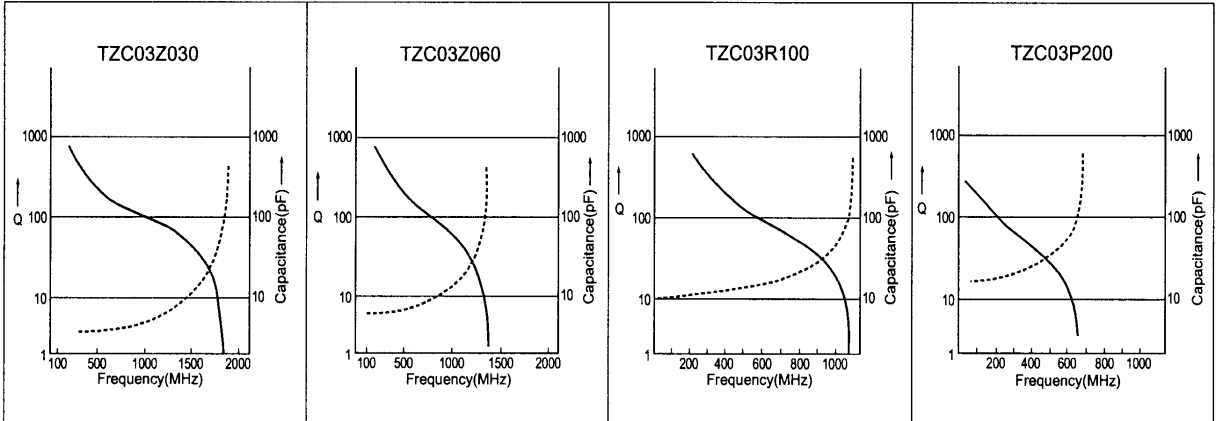
■ CHARACTERISTICS

• Temperature Coefficient Characteristics



• Q and Capacitance vs. Frequency Characteristics

Characteristics are measured at the maximum rated capacitance value position.



Q : Solid line Capacitance : Dotted line

■ TAPING SPECIFICATIONS / HANDLING PRECAUTIONS / SOLDERING CONDITIONS

• See pages 19 to 21.